

THE NEW LED-3000 RING LIGHT REPRESENTS A NEW STANDARD IN LED MICROSCOPE RING LIGHTS FROM TECHNIQUIP, AN INDUSTRY LEADER IN INNOVATIVE "MADE IN THE USA" PRODUCTS.



NEW - THE LED-3000 RING ILLUMINATOR

Designed and manufactured to the exacting standards that have made TechniQuip an industry leader in microscopy ring lights, the LED-3000 delivers powerful, microscope quality white light from the precision aligned LED array. Our CAD designed ring light system contains 40 top quality high-brightness white LED's housed in a machined aluminum and molded plastic enclosure. The LED-3000 offers outstanding illumination performance in a rugged, attractive package.

Our advanced LED controller utilizes a proprietary constant current design to provide maximum light output with long life and no color shift when dimming. This key feature is integrated into the compact ring light housing. Adding to its impressive list of features, the LED-3000 comes standard with a universal power source for worldwide operation.

Manufactured in TechniQuip's own Pleasanton, California factory, the LED-3000 is backed by the great service and warranty that have made TechniQuip the first choice for OEM's, laboratories, and other "mission critical" applications.



LED-3000 RINGLIGHT PRODUCT FEATURES

360° shadow-free illumination	Built and tested in the USA
40 high brightness LEDs	Supplied with controller and universal power supply
6500° K spectrum (approx)	Overall Dimensions: 1.09" thick , 4.01" o.d. x 5.30" length
Machined aluminum mount with plastic housing	Integrated controller: - Adjustable brightness (10% - 100%) - Constant current intensity control (40 LED's) - Universal power 100-240VAC 50/60Hz
3 point soft tipped mount for secure mount	Can mount to larger diameter microscopes
Silent, no vibration operation	Standard model fits 1.25" - 2.6" (66mm) lenses

Working Distances:

DISTANCE	FOOTCANDLES	DIAMETER
3 Inches	4900	1.4" Bright Spot
4 Inches	5110	0.9" Bright Spot
5 Inches	3960	1.3" Bright Spot

Shipped Ready to use:

THE LED-3000 CONSISTS OF TWO COMPONENTS:

One 40 LED ring light with integrated controller.

One AC/DC Switching Adapter:

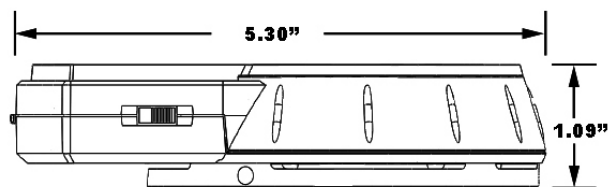
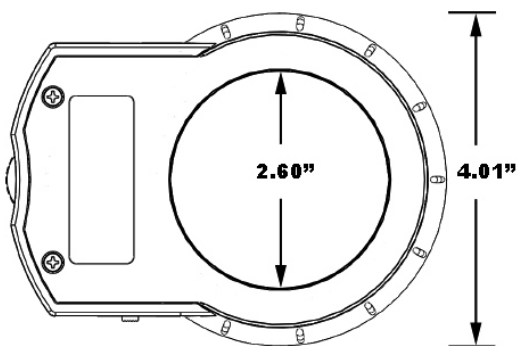
Input: 100-240V—50/6-Hz. 0.5A
Output: 24V — 0.75A. 18W Max.

TECHNIQUIP : CUSTOM SOLUTIONS IN LIGHTING

TechniQuip offers custom solutions in precision lighting devices, lamp engines, LED devices , ring lights, fiber optic illuminators, optical inspection systems, optics, cameras, imaging, fiber optic cables, and boomstands. Call or E-mail us today if you would like discuss our specialized turnkey services in design, R&D, and production.

Techniquip's Standard Line of Microscopy Products can be seen at Techniquip.com. Our standard products include Single & Dual Light Guides, optics, and adapters for all of your microscope needs. Techniquip usually ships the same day that you order. We guarantee all of our products.

Techniquip: A proud tradition of sales and service for more than 36 years.



nyoptics corporation